



## TC-C34QN Spec:I5W/WIFI/Eu/4mm/V4.0

4MP Fixed IR Wi-Fi Bullet Camera

Wi-Fi Series



### KEY FEATURES

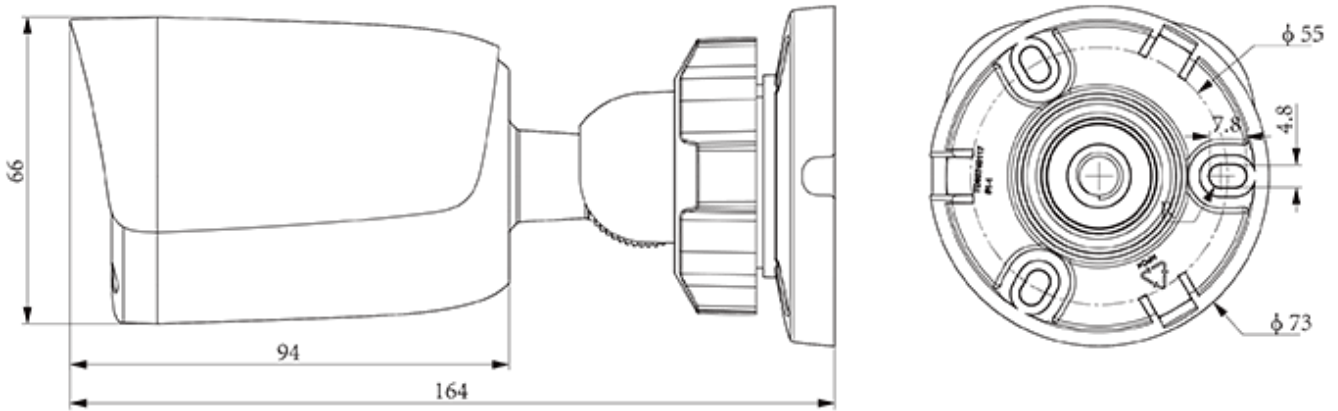
- Metal+plastic housing
- Up to 4MP,2560×1440@20fps
- S+265/H.265/H.264B/H.264M/H.264H
- Color:0.02Lux@(F2.0,AGC ON),B/W:0Lux with IR
- IR range up to 50m
- Built-in Mic, Built-in Speaker
- Support microSD/microSDHC/microSDXC card,up to 512GB
- Operating conditions -30°C~60°C(-22°F~140°F), ≤95%RH
- DC12V±25%,Max. 7.5W
- IP67

## SPECIFICATIONS

Camera	
Image Sensor	1/2.8"CMOS
Min. Illumination	Color:0.02Lux@(F2.0,AGC ON),B/W:0Lux with IR
Shutter Time	1s~1/100000s
Day&Night	IR-cut filter with auto switch (ICR)
Smart IR	Yes
WDR	DWDR
S/N	>40dB
Angle Adjustment	0~360°(P); 0~80°(T); 0~360°(R)
Lens	
Lens Type	Fixed focal lens
Focal Length	4mm
Lens Mount	M12
Aperture Range	F1.6
Aperture Type	Fixed
Field of View	86(H); 45.2(V); 99.1(D)
DORI Distance	Detect:65.31m Observe:25.92m Recognize:13.06m Identify:6.53m
Illuminator	
IR LEDs	2
IR Distance	Up to 50m
Wavelength	850nm
White LEDs	2
Whitelight Distance	15m
Compression Standard	
Video Compression	S+265/H.265/H.264B/H.264M/H.264H
Video Bit Rate	32k~4Mbps
Audio Compression	G.711A/G.711U
Audio Sampling Rate	8kHz/16kHz
Image	
Max. Resolution	4MP,2560×1440@20fps
Main Stream	PAL:20fps(2560×1440, 2304×1296, 1920×1080, 1280×720, 704×576, 640×480) NTSC:20fps(2560×1440, 2304×1296, 1920×1080, 1280×720, 704×576, 640×480)
Sub Stream	PAL:20fps(704×576, 704×288, 352×288, 640×360) NTSC:20fps(704×480, 704×240, 352×240, 640×360)
BLC	Yes
HLC	Yes
AGC	Yes
3D DNR	Yes

White Balance	Auto/Semi-Auto/Manual/Sunshine/Nature Light/Warmlight Lamp/Daylight Lamp/Filament Lamp/Lock White Balance
OSD	Overlay of additional characters in 1 regions, 1 line, with a maximum of 48 characters or 16 Chinese characters per region; 16*16/32*32/48*48/64*64
Privacy Mask	4 black static areas
Defog	Yes
<b>Feature</b>	
Exceptions Alarm	Voltage Alarm; Disk Full; Disk R/W Error; IP Address Conflict
Linkage Method	Trigger Sound; Trigger Recording; Trigger Capture; Notify Surveillance Center; Alarm Output
<b>Network</b>	
ANR	Yes
Protocols	HTTP; TCP/IP; UDP; ICMP; DHCP; DNS; NTP; TLS v1.2; IPv4; SSH; Unicast; FTP
System Compatibility	ONVIF(Profile S/T) ; SDK; CGI; RTSP
Remote Connection	≤2
Client	Easy7 VMS
Moblie Client	EasyLive Plus
Web	IE10+; Firefox52+; Edge89+; Safari11+; Chrome57+
<b>Wi-Fi</b>	
Transmission Distance	Up tp 50m( based on actual environment)
Wireless Standard	IEEE802.11b/ 802.11g/802.11n
Frequency Range	2.4 GHz ~ 2.4835 GHz
Channel Bandwidth	20/40MHz
Wi-Fi Security	WPA-PSK/WPA2-PSK
<b>Interface</b>	
Communication Interface	1*RJ-45 (10/100 Base-T)
Built-in Mic	Yes
Built-in Speaker	Yes
Reset Button	Yes
On-board Storage	Support microSD/microSDHC/microSDXC card,up to 512GB
<b>General</b>	
Web Client Language	3 languages Simple Chinese/English/Vietnamese
Operating Temperature	-30°C~60°C(-22°F~140°F)
Operating Humidity	≤95%RH
Storage Temperature	-30°C~60°C(-22°F~140°F)
Storage Humidity	10%~95%RH(non-condensing)
Power Supply	DC12V±25%,Max. 7.5W
Protection	Surge4000V; ESD6000V; IP67
Boundary Dimensions	164(L)73(W)73(H)mm
Package Dimensions	215(L)95(W)120(H)mm
GrossWeight	0.46kg

## DIMENSIONS (Unit: mm)



## Assembly diagram of Junction Box



TC-P54BM Spec:V5



A36