



TC-D322 Spec:MON/P/V2.0

22-inch Plastic LED Monitor



KEY FEATURES

- Size: 22 inches
- Resolution: 1920*1080
- Ratio: 16:9
- Backlight: LED
- Brightness: $\geq 250\text{cd/m}^2$
- Field of view: 178°
- Interface: HDMI*1, VGA*1
- Material: plastic
- Standard speaker, HDMI cable, base or bracket
- MTBF ≥ 30000 hours

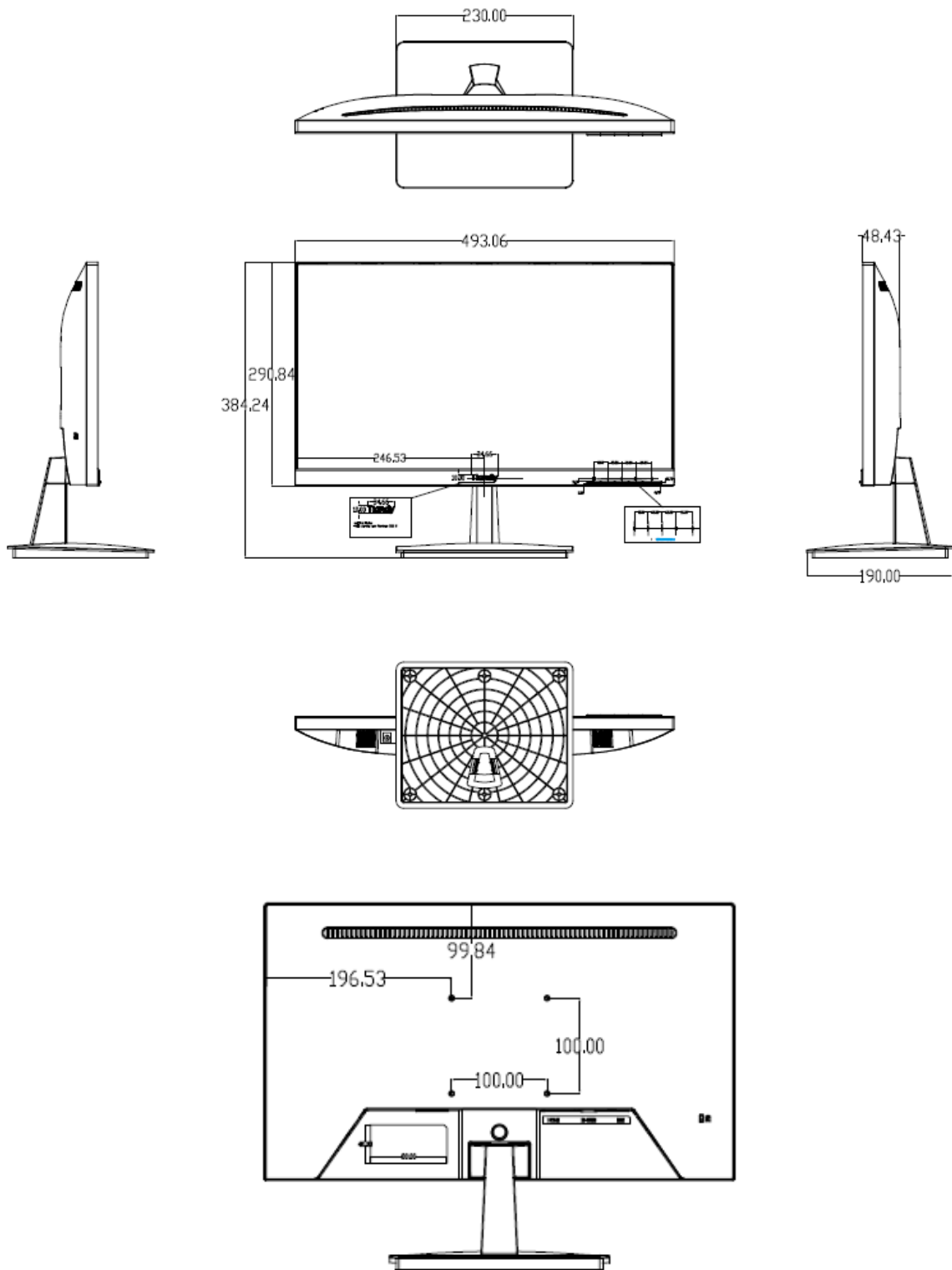


SPECIFICATIONS

Panel type	VA
Panel size	21.45 "
Aspect ratio	16:9
Gauge (mm)	0.249*0.241
Resolution	1920×1080
Luminance(cd/m²)	250
Contrast	3000:1
Response time (ms)	14
Refresh rate	60HZ
Colouration	16.7M
Display size(mm)	478.656(H)×260.28(V)
Viewpoint(H/V)	178 °(H) / 178 °(V)
Video input	HDMI*1, VGA*1
Video output	N/A
Audio input	Yes
Audio output	N/A
Control interface	N/A
Speaker	Yes
OSD(Language)	12 countries (English、Deutsch、Francaise、Español、Italiano、Nederlands、中文、日本、한국어、Dansk、Português、Turkish)
Wall mounting holes (mm)	100*100
Wall mounted threads	4-M4 Screw hole
Input Voltage	DC 12V,2A
Typical power consumption(W)	≤24
Standby power consumption(W)	≤0.5
Operating temperature	0 ~ 40°C
Operating humidity	20% ~ 85% RH Non-Condensing
Storage humidity	10% ~ 90% RH Non-Condensing
Bare metal size(mm)	493.1(W)×382.7(H)×199.8(D)
Package Size(mm)	557(W)×370(H)×140(D)
Net weight(Kg)	2.3
Gross weight(Kg)	3.3

Tiandy

DIMENSIONS (Unit: mm)



Tiandy Technologies Co.,Ltd



Tiandy Overseas



Tiandy



@tiandyofficial

Tiandy Technologies Co.,Ltd.

Email: sales@tiandy.com

Tel: +86-22-58596065

Website: en.tiandy.com

Fax: +86-22-58596048