

DHI-VTH1010J

Analog Indoor Monitor



- 4.3" TFT screen
- Video intercom function: Unlock, voice call, video call and volume adjustment
- Touch button
- Multiple bell sounds



Technical Specification

DHI-VTH1010J

System

Button Type Touch button

Basic

Display 4.3" TFT

Screen Resolution 480 (H) × 272 (V)

Function

Communication Mode Analog

Performance

Casing ABS

General

Color White

Power Supply 12 VDC 1 A

Power Adapter Included

Installation Surface mount

Certifications CE/FCC

Accessory Bracket (included)

Dimensions 136.00 mm × 140.00 mm × 18.30 mm (5.35" × 5.51" × 0.72")

Operating Temperature -10 °C to +55 °C (+14 °F to +131 °F)

Operating Humidity 10%–95% (RH)

Power Consumption ≤ 2 W (standby)
≤ 5 W (working)

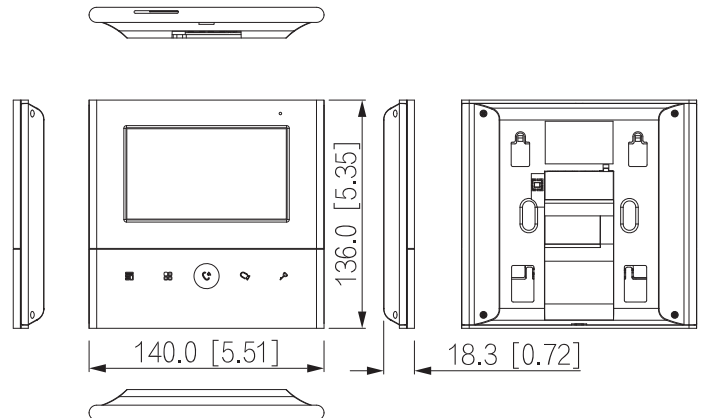
Net Weight 0.16 kg (0.35 lb)

Gross Weight 0.42 kg (0.96 lb)

Ordering Information

Type	Model	Description
Analog Indoor Monitor	DHI-VTH1010J	Analog Indoor Monitor

Dimensions (mm[inch])



Application

